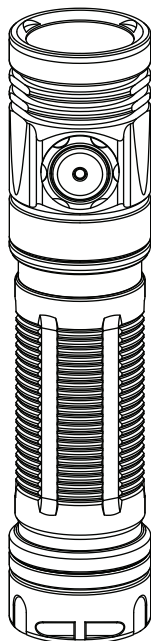




SKILHUNT

Lighting Solutions for Professionals



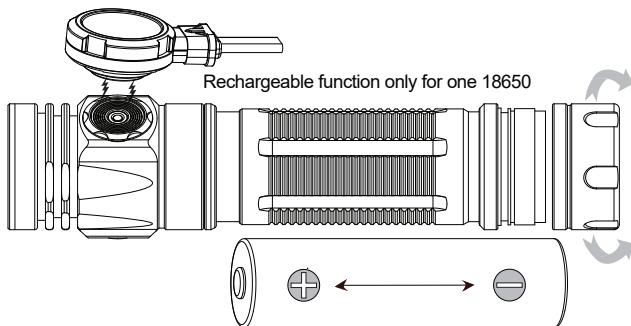
M200 MAGNETIC CHARGING FLASHLIGHT USER MANUAL

Specifications

Table with columns: FL1 STANDARD, T1, T2, H1, H2, M1, M2, L1, L2, S1/S2/S3. Rows include 1\*18650 3500mAh and 2\*CR123A 1700mAh battery configurations, beam distance (161m / 171m), peak beam intensity (6500cd / 7300cd), waterproof rating (IPX-8), and impact resistance (1m).

Note: The above parameters are only approximation, with high-quality lithium battery in the laboratory environment testing. The product performance may change since battery different or the different use of environment.

- Rated range: 2.7-8.4V, (recommend to use a 18650 lithium battery with excellent discharge performance)
Dimension: L104.5mm / 4.11", Head diameter 23.5mm / 0.93", Body diameter .22.0mm / 0.86"
Weight: 44g / 1.55 oz (Excluded battery)
Accessories: User manual, Spare O-rings, Lanyard, Clip, Magnetic Charging Cable.



In charging status, Please make sure the battery is correctly insert, otherwise it will damage the charging system!

Operation

1. Battery installation & Replace magnet

Insert the battery positive pole toward the light head, otherwise it will not work. When the light turning on, the beam is directed away from the eyes. When take the light with Bankcards(magnetic) or cellphone, should replaced Magnet with rubber pad.

2. ON/OFF & Mode transfer

When the light is OFF status (unlocked), then hold press side switch 5 seconds to switching to A-mode or B-mode.

A-Mode Group (8 output level & 3 strobe)

When the flashlight was OFF status: Single click the side switch to memorized brightness level before the light was turned off. Quickly double press switch to Turbo level. Quickly triple press switch to Strobe mode. Hold press the side switch 0.5 second to Low level.

When the flashlight was ON(any mode) status: Hold press the side switch 0.5 second to turn off.

Change brightness level: Press side switch to L1-M1-H1-T1-L1, cycle. Quickly double press side switch to Sub-level(i.e. between L1 & L2), turn off memorized. Quickly triple press the side switch to Strobe (S1), then double-click to switch S1-S2-S3 mode. Press side switch back to previous brightness level.

B-Mode Group (Customized output level)

When the flashlight was OFF status: Press the side switch to memorized brightness level. Press and hold the side switch 0.5 second to Low level. Quickly double press switch to T1.

Quickly triple press switch to Strobe mode, then double-click to change S1-S2-S3, hold press 1 second to change strobe brightness, Quickly triple press switch to reset to Default levels.

When the flashlight was ON(any mode) status: Press the side switch to turn off. Common used level: Hold press switch to automatically cycle L2-M2-H2-T2 (Factory Setting Default levels), the level is selected when the side switch has been released.

Quickly double press switch to T1, double press switch back to Common used levels. Quickly triple press switch to Hidden Edit levels, 1 click edit level(select level indicator on), hold press 1 second save edited Common used levels, 3 click restore to Default levels.

3. Location indicator & Lock-out function

When turn off the flashlight, press switch 1.5 second, location indicator switch on and lock-out function activation at same time, double press switch the indicator on/off, the indicator light flash every second, locate the flashlight, Easy find the flashlight in the dark quickly. Hold press the switch 1.5 second, switch button unlock and enter into low mode.

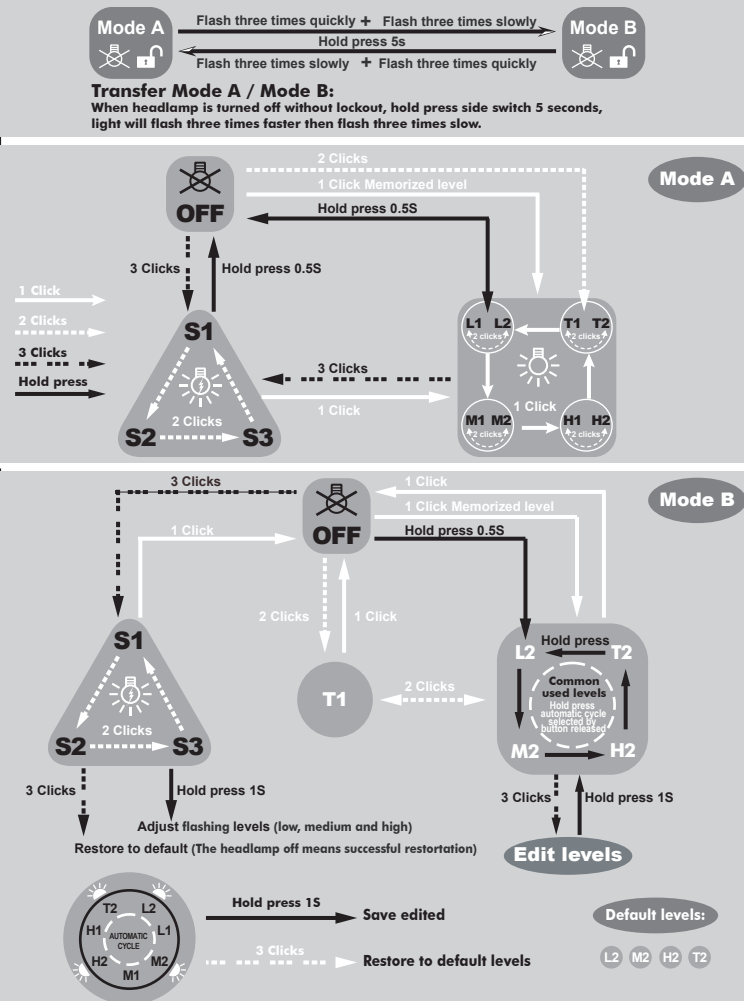
4. Power indicator & Low voltage indication

Every time turn on, the side indicator will be light 5 seconds to display the battery power. Constant Blue :100%-80%; Flashing Blue : 80%-50%; Constant Red : 50%-20%; Flashing Red : < 20%. When the battery voltage drop down lower than 3.0V, indicator flash 3 times every 2 sec.

5. Charging instructions and notices:

In charging, red indicator constant light on, when battery almost full charge, indicator change to constant blue light.

Warning: Rechargeable function only for one 18650 (3.6V / 3.7V) rechargeable Li-ion battery!



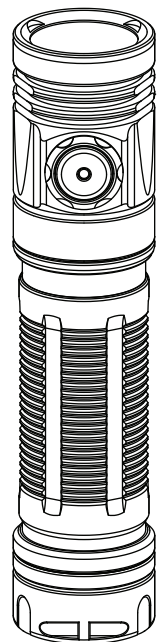
Warranty Card table with columns: Product name, Model, Term of warranty (24 months), Purchase date, Dealer's name, Website, Address, Email, Customer name, Tel, Address, Email, Product defect details.

- Notes: 1. Within 15 days of purchase, any defective lights will be offered free replacement by SKILHUNT distributors unconditionally. 2. Within 24 months from the day of purchase, SKILHUNT offers free repair after service. 3. Limited lifetime warranty. 4. For more details, please refer to the website.



SKILHUNT Electronic Technology Co., Ltd. Email: service@skilhunt.com Website: www.skilhunt.com Address: Shenzhen, 518102, China





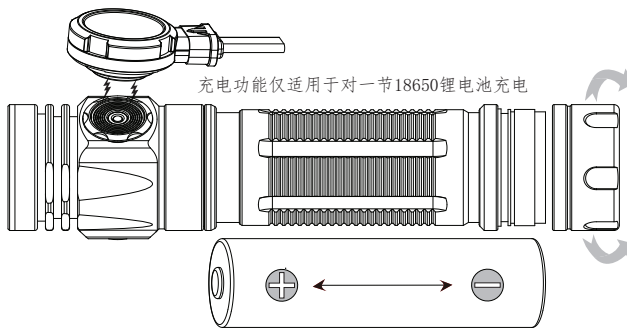
**M200**  
磁吸充电手电筒  
使用说明

参数说明

FL1 STANDARD	T1	T2	H1	H2	M1	M2	L1	L2	S1/S2/S3
1*18650 3500mAh	1000 535 Lumens	535 Lumens	370 Lumens	150 Lumens	70 Lumens	25 Lumens	10 Lumens	0.5 Lumens	/
	2+180 mins	180 mins	4.5 hrs	12 hrs	25 hrs	75 hrs	150 hrs	/ hrs	/
2*CR123A 1700mAh	1100 535 Lumens	535 Lumens	370 Lumens	150 Lumens	70 Lumens	25 Lumens	10 Lumens	0.5 Lumens	/
	2+90 mins	90 mins	2.5 hrs	5 hrs	10 hrs	35 hrs	85 hrs	/ hrs	/
Beam Distance	161m / 171m								
Peak Beam Intensity	6500cd / 7300cd								
Waterproof	IPX-8								
Impact Resistant	1m								

注：上述参数只是一个近似值，以优质锂电池在实验室环境中测试所得，参数可能随著电池和使用环境及个体差异而发生变化。

- ◎ 工作电压：2.7-8.4V. 建议使用具有优秀放电性能的18650锂电池
- ◎ 主要尺寸：总长104.5mm，头部直径23.5mm，筒身直径22.0mm
- ◎ 重量：44克（不含电池）
- ◎ 标配：说明书、备用防水圈、手绳、夹子、USB磁吸充电线。



⚠️ 充电状态：请确保电池正确安装，电池装反不能正常工作及充电！

参数说明

1、电池安装注意事项：

请确保电池装入方向为电池正极指向电筒头部，否则电筒将不能正常点亮。请不要将点亮的电筒指向人或动物的眼睛，以免影响视力，并可能造成损伤。请不要将电筒与银行卡、手机等具有磁性的物品放在一起，可能会有一定影响；可将磁铁替换为备用橡胶垫片即可。

2、开关机及档位模式切换：

当电筒关机时（未锁键状态），长按开关5秒可在A模式、B模式间相互切换，主灯闪烁三次后表示模式切换成功，模式切换后关机或断电具有记忆功能。

A模式组（主副档8级亮度+三档闪烁）

当电筒处于关机状态：

按住开关0.5秒直接进入到低亮档位；单击开关直接进入到记忆亮度档位；快速双击开关直接进入到极亮档位；快速三击开关直接进入到闪烁模式；

当电筒处于开机状态：

单击开关，低亮-中亮-高亮-极亮-低亮，四个亮度档位循环；亮度档位快速双击主/副档位设置（例如L1/L2档间切换），关机记忆；亮度档位快速三击进入闪烁模式，闪烁模式时快速双击三种闪烁模式循环，关机记忆，单击回到亮度档；开机任意档位下，按住0.5秒关机。

B模式组（常用档自定义+一键开关机）

当电筒处于关机状态：

按住开关0.5秒进入到设定的常用低亮档位L2；单击开关进入到记忆亮度档位；快速双击开关进入到极亮T1档位。

当电筒处于开机（常用档位）：

按住开关不松手，常用档位循环L2-M2-H2-T2（出厂设置档位），松手选定档位；快速双击进入T1，双击可切换到常用档记忆档位；任意档位下单击可关机。常用档位下三击进入隐藏常用档编辑模式，各档位自动循环时，侧键指示灯同步亮表示该档位选定，单击开关指示灯编辑档位，按1秒可保存设置（快闪三次后到设定的最低档）；进入编辑模式，三击可恢复出厂设置档位（三击后直接关机）。

3、定位指示、按键锁定/解锁：

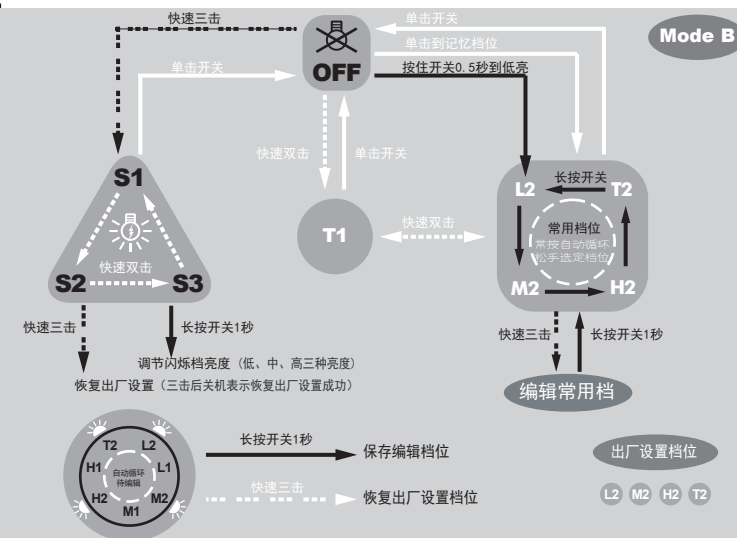
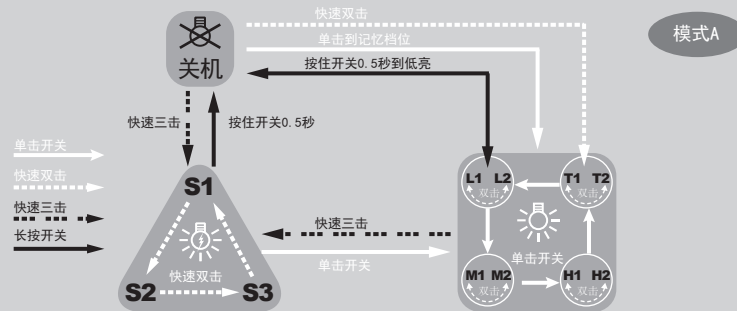
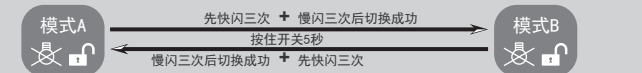
关机后，按住开关1.5秒电筒按键被锁定，同时定位指示灯开启，定位指示灯会每秒闪烁一次，方便黑暗环境中指示电筒位置；双击开关可开启/关闭定位指示灯；按住开关1.5秒，可解锁按键，进入低亮模式。

4、电量指示灯及低压提示：

电量指示：每次开机后，位于开关按键中心的指示灯会点亮5秒显示当前电池电量。蓝灯长亮:80%-100%；蓝灯闪烁:50%-80%；红灯长亮:20%-50%；红灯闪烁:<20%。低压提示：指示灯位于按键中心，开机电压低于3.0V时，指示灯间隔2秒快闪三次。

5、充电功能指示及说明：

正常充电时，磁吸充电器上红色指示灯会长亮，充满后转为蓝色指示灯；充电前请确保电池正确装入，电筒尾盖拧紧，接触面是否有异物，以免充电异常。注意：USB充电线及电筒的充电功能，仅适用于对一节3.6/3.7V可充电锂电池充电！



产品保修凭证

本保修凭证是向消费者提供维修服务的凭证，消费者购买时需确认保修凭证上销售商名称以及相关信息是否填写完好，并妥善保管好购买发票或相关凭证。

产品名称	产品型号	购买日期	年 月 日
保修期限	购买之日起两年内	商店名称	商店地址
商店名称	商店地址	商店网址	电子邮箱
商店网址	电子邮箱	顾客姓名	电话
顾客姓名	电话	详细地址	
详细地址	电子邮箱	产品问题描述	
电子邮箱	产品问题描述		

说明：

- 1、保换期：产品自售出之日起15天内，在正常使用情况下，出现产品品质问题，客户可选择更换新品或维修服务，要求更换时，更换产品需确保外观无明显不良。
- 2、免费保修期：产品自售出之日起24个月内，用户在正常使用情况下，出现产品品质问题，则享受免费维修服务。
- 3、终身有限保修：超过免费保修期外，如需更换重要部件仅收取成本费用。
- 4、消费者保修时请与经销商联系，我公司将对经销商提供服务支持。

以下情况不提供免费维修：

- 1、人为破坏、拆解、改装本产品。
  - 2、错误使用方法导致产品损坏。
  - 3、电池原因导致产品损坏。
- 需要保固服务，请联系经销商或发邮件到：service@skilhunt.com