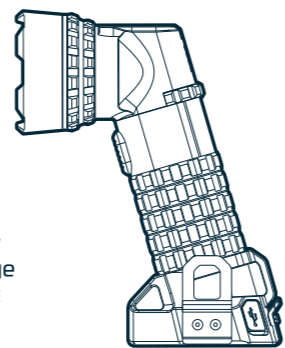


# NEBO®

## LUXTREME® SL75

### LUXTREME SL75

Our Luxtreme SL line of spotlights offer extraordinary beam distance and close range flood pattern in an ergonomic and rugged design.

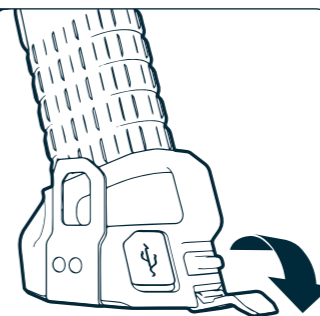


MODES	LUMENS	RUN TIME	METERS
HIGH	780	5h	1200
MEDIUM	400	10h 30m	793
LOW	100	30h	374

CONTINUOUS RUN WITH 12V ADAPTER

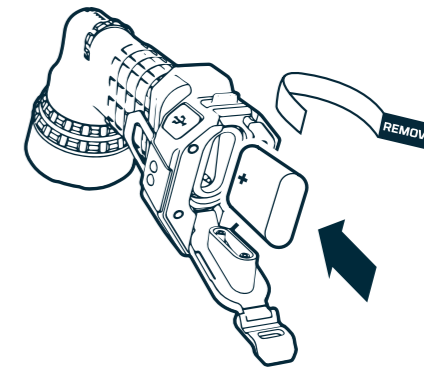
3/4 Mile Beam Distance • Mode Select Dial  
• USB Rechargeable • Smart Power Control •  
Magnetic Base • Belt Clip • 12V Adapter  
• Tripod Mount • IP67 Waterproof

**REMOVE BATTERY SPACER BEFORE OPERATION!**  
This unit uses a battery spacer during shipping. Remove before operation.



**BATTERY COVER**  
To remove the battery, unlatch the Battery Cover.

**BATTERY**  
After removing the spacer, insert the battery positive (+) side first.



This product is guaranteed against all defects in workmanship and materials for the original owner for one year from the date of purchase.

Alliance Consumer Group  
5650 Alliance Gateway Freeway  
Fort Worth, TX 76177  
800.255.6061  
Made in China.



For more information, detailed video instructions, and warranty registration, visit [NEBOLIGHTS.com](http://NEBOLIGHTS.com).

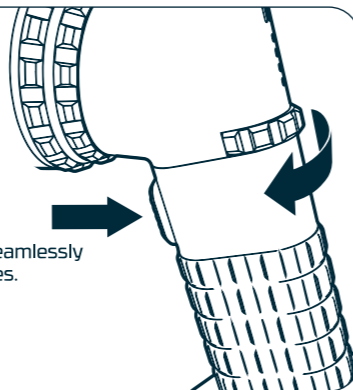
#### PRODUCT GUARANTEE

If you experience a problem, please do not return to your local store. Please contact our Customer Service team at 800-255-6061 or [www.nebotools.com/contact](http://www.nebotools.com/contact).

**OPERATION**  
Rotate the Mode Select Dial to cycle through light modes:  
**Off > Low > Medium > High**

Press the Trigger Button to turn the unit **On**.  
Press again to turn **Off**.

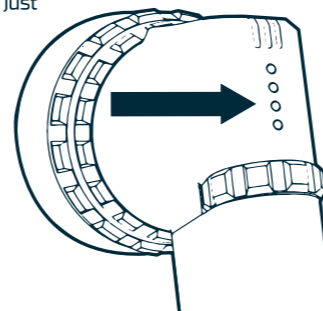
**Smart Power Control (SPC)** seamlessly transitions through light modes.



**POWER INDICATOR**  
This product uses 4 LED lights just above the Mode Select Dial.

**100% battery:** 3 green, 1 red  
**75% battery:** 2 green, 1 red  
**50% battery:** 1 green, 1 red  
**25% battery:** 1 red

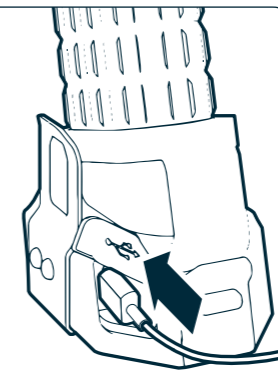
Press the trigger button while Mode Select Dial is in the **Off** position to show battery life.



**CHARGING**  
Use the included charging cable to recharge the Luxtreme SL.

The last indicator light will flash when the unit is charging.

When charging is complete, all indicators will light continuously.



**BELT CLIP**  
The Belt Clip is designed so that it can be mounted on either side of the base.

Simply screw the Belt Clip in the desired position.

